

◇ 40mm Square Isolator ◇

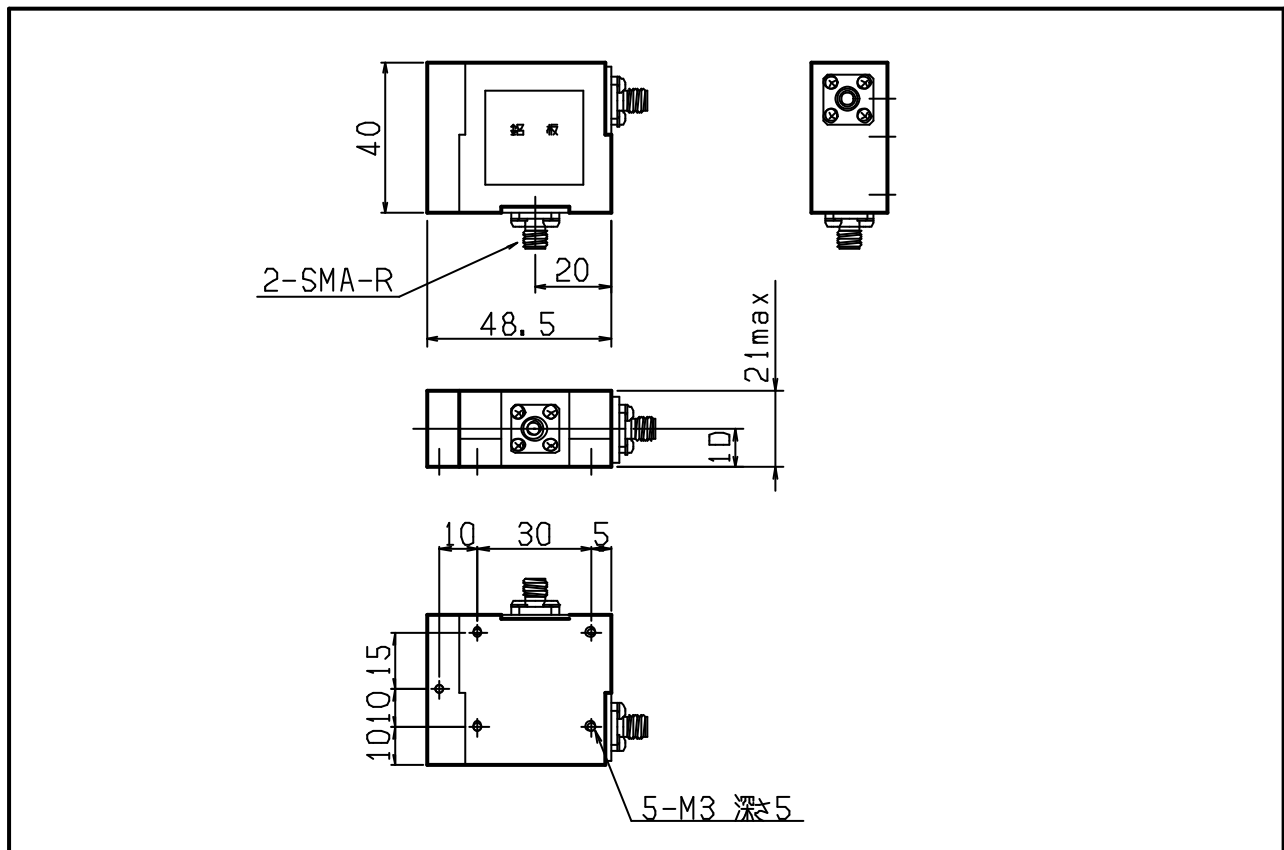
CAT-241

Model No. DSI-40R2.140G

● Specifications

Frequency	2090MHz ~ 2190MHz
Band Width	Full
Insertion Loss	0.3dB max
Isolation	20dB min
V.S.W.R	1.20 max
Handling Power	140W max
Reflection Power	60W max
Operating Temp.	-20 ~ +85 ℃
Impedance	50Ω

● Dimensions



Hitachi Metals, Ltd.